



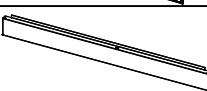




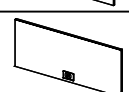
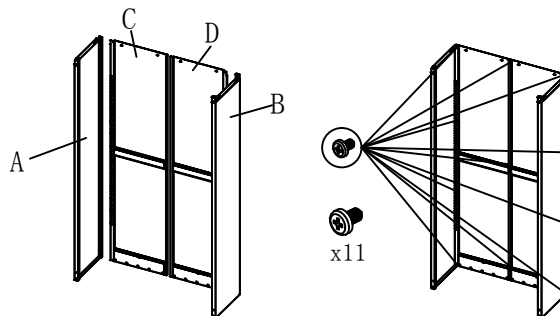


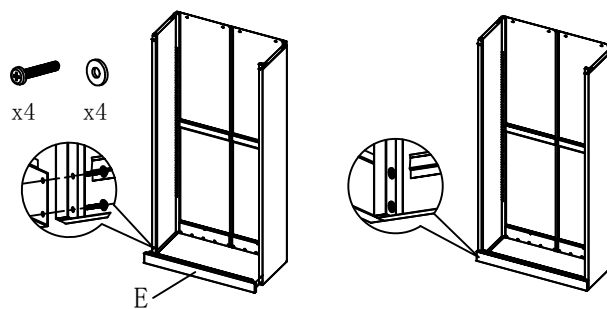
Part ID	Description	Illustration	Qty
A	Left Side Panel		1
B	Right Side Panel		1
C	Left Rear Wall		1
D	Right Rear Wall		1
E	Bottom Frame		1
F	Bottom		1
G	Top		1
H	Shelf		5
I	Left Door		1
J	Right Door		1
K			

ASSEMBLE INSTRUCTION
FC-A18W

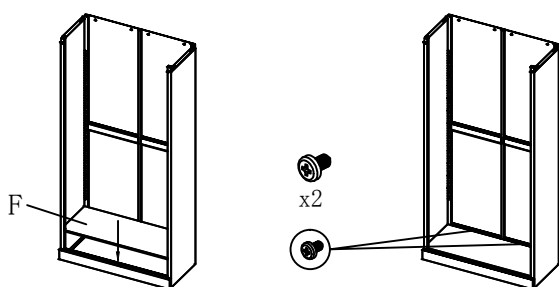
1. Will E and C, D link and then will C, D and A, B fix by screws



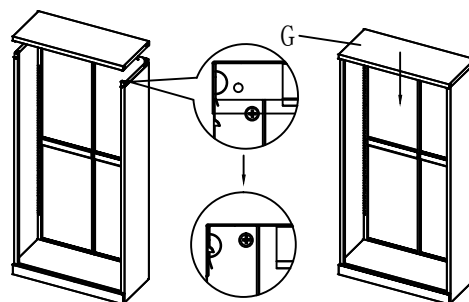
2. Link E with A, B fix by screws



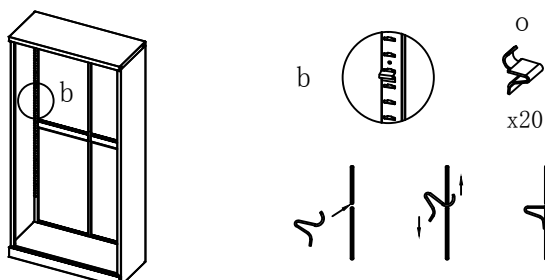
3. Install F into body of cabinet fix by screws



4. Install G into body of cabinet



5. Install o into body of cabinet, as shown in the following figure



6. Install H, I, J into body of cabinet

